

Swimming pool equipment



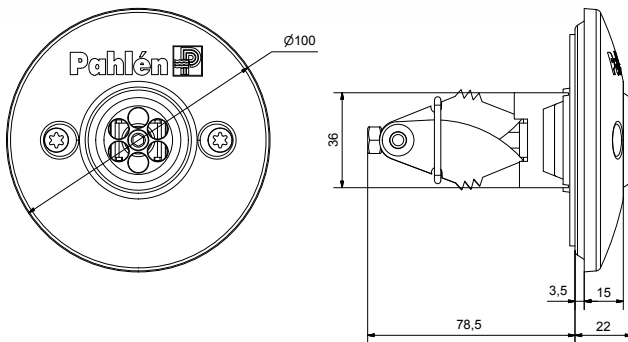
Marine inlet anchoring bracket

Wall inlets are designed for mounting onto the end of a molded PVC pipe, PN10/16 with an outer diameter \varnothing 50 or \varnothing 63. The nozzle is secured by barbs inside the pipe. The pools flow can be directed by turning the ball in the desired direction.

Recommended flow capacity max 10 m³/h.

Features

- Anchoring bracket
- Adjustable nozzle mesh \varnothing 7 mm
- For mounting in a concrete pool with casting pipes
- Acid-proof stainless steel AISI 316L
- PVC pipe PN10/16 with an outer diameter of \varnothing 50 or \varnothing 63 mm



Item no.	Type	Wall inlet
126102	A	Marine inlet anchoring bracket



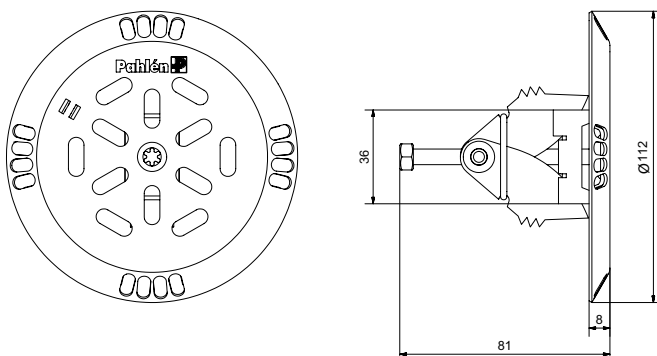
Bottom inlet anchoring bracket

A bottom inlet designed for mounting onto the end of a molded PVC pipe, PN10/16 with an outer diameter \varnothing 50 or \varnothing 63. The nozzle is secured by barbs inside the pipe. The flow can be regulated in eight different positions on the front of the inlet.

Recommended flow capacity max 15 m³/h.

Features

- Anchoring bracket
- Adjustable flow
- For mounting in a concrete pool with casting pipes
- Acid-proof stainless steel AISI 316L
- PVC pipe PN10/16 with an outer diameter of \varnothing 50 or \varnothing 63 mm



Item no.	Type	Bottom inlet
126110	A	With anchoring bracket